

# StG 16/30/40

# StG 30.90/40.90

## DATA SHEET

### Description

Diesel engines up to 4000 kW power as well as gas engines or turbines are the preferential application for this family of actuators.

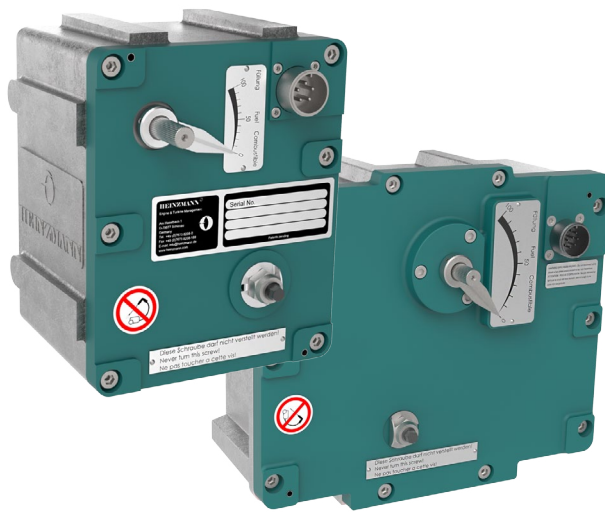
A DC disc motor which already generates strong torque in both directions of

rotation is their core. The torque additionally is multiplied by a reduction gearbox. Due to the low moment of inertia of the motors disc nevertheless quick response times can be gained.

In case of voltage loss a return spring ensures setting back to zero position. Optionally the actuator is available without return spring.

A contactless feedback system is integrated onto the governor's output shaft offering a precise electrical position signal to any external control unit.

The use of special materials and long-time lubricants assures maintenance-free operation and long working life of the actuators.



### Features

Strong regulation torque working in both directions

Quick response time

Return spring

Low current consumption on change of load

Low retaining current

Contactless feedback

### Application range

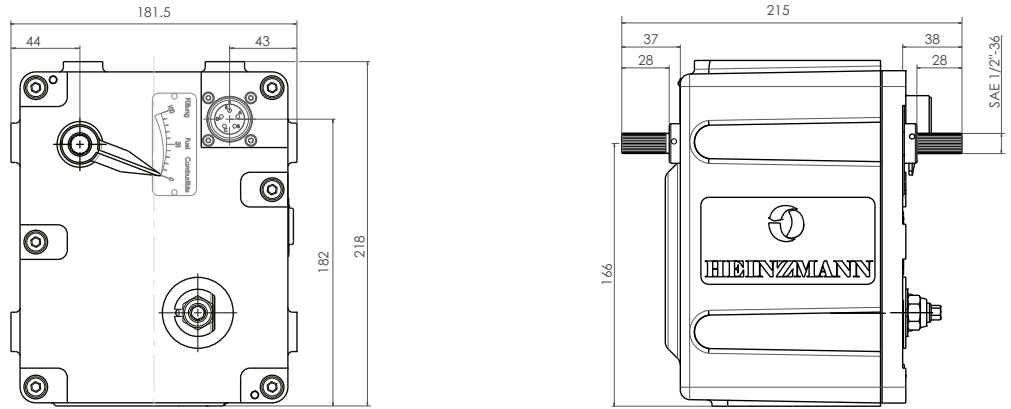
- Diesel engines up to 4000 kW
- Gas engines
- Gas and steam turbines

### Certificates

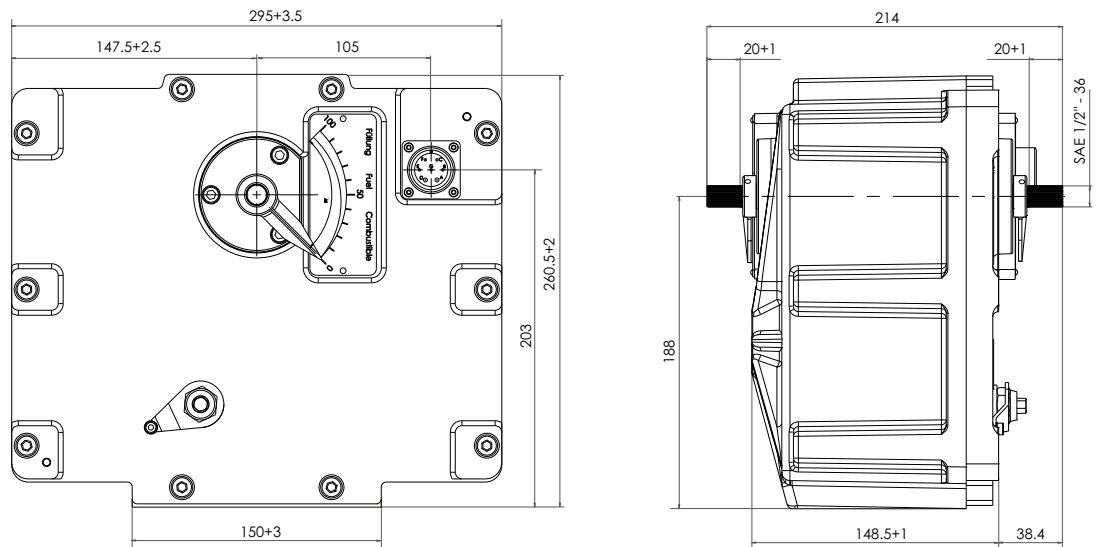
On request

# Dimensions

## StG 16/30/40



## StG 30.90/40.90



# Technical data

	StG 16	StG 30	StG 30.90	StG40	StG 40.90
Rotation angle	42°	42°	90°	42°	90°
Torque	max. 15 Nm	max. 31.5 Nm	max. 31.5 Nm	max. 44 Nm	max. 44 Nm
Steady state torque	5 Nm	10.7 Nm	10.7 Nm	14.5 Nm	14.5 Nm
Suitable engine power	≤ 1600 kW	≤ 3000 kW	≤ 3000 kW	≤ 4000 kW	≤ 4000 kW
Return spring 0 %	1.1 Nm	2.0 Nm	–	2.0 Nm	–
Return spring 100 %	2.2 Nm	4.1 Nm	–	4.1 Nm	–
Current consumption	max. 5 A	max. 5 A	max. 5 A	max. 7 A	max. 7 A
Steady state current	1.7 A	1.7 A	1.7 A	2.3 A	2.3 A
No load response time 0 ... 100 %	≤120 ms	≤190 ms	≤235 ms	≤190 ms	≤275 ms
Position feedback 0 ... 100 %	1.6 ... 2.8 VDC				
Cable length	max. 25 m				
Ambient temperature range	-25 ... 90 °C				
Permissible ambient humidity	< 95 %				
Vibration level	± 1 mm at 1 ... 20 Hz, max. 0.24 m/s at 21 ...63 Hz, max. 5 g at 64 ... 300 Hz				
Shock level	30 g, 11 ms, half sine				
Protection grade	IP55				
Weight	approx. 12.5 kg	approx. 12.5 kg	approx. 24.5 kg	approx. 12.5 kg	approx. 24.5 kg