

DSU 01

Digital Speed Setting Potentiometer

DATA SHEET

Description

The DSU 01 Digital Speed Setting Potentiometer is an electronic equivalent to a mechanical motor potentiometer with a digital display of the percentage speed set point.

The unit will store a set point voltage and will retain its last voltage value, regardless of whether the 24 V supply is present or not. If the voltage is reinstated after power loss it reaffirms the last value of the potentiometer set point prior to the 24 V failure.

There are two independent set point limits that can be adjusted locally and activated remotely. These limits are generally used for synchronising and automatically motoring a potentiometer to a pre-start position.

The DSU 01 is primarily used for remote synchronising with an external raise lower contact, load setting and load ramping.



Features

Replacing conventional mechanical motor driven units

Digital display of the percentage speed setpoint

Storing of setpoint voltage

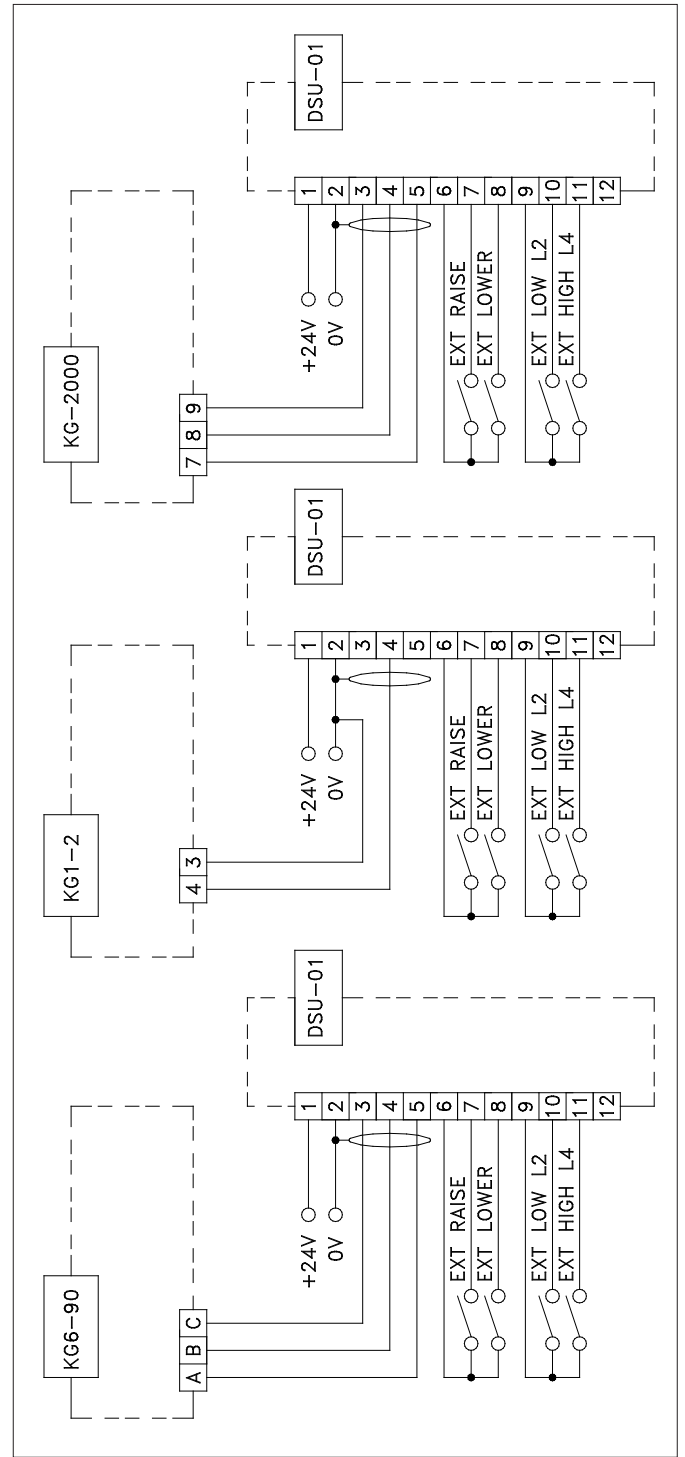
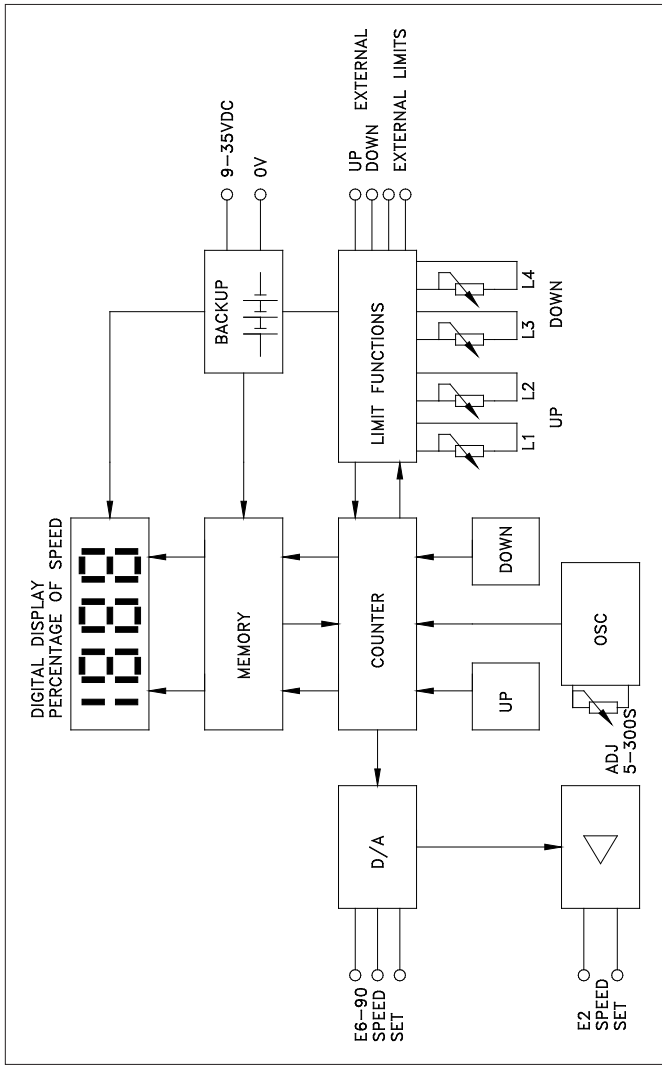
Two independent setpoint limits

Remote synchronising

Load setting and load ramping

Technical data

Supply voltage	12 - 35 VDC
Supply circuit	500 mA nominal
Supply ripple voltage	± 10 % of 100 Hz
Output voltage	1 - 5 VDC
Output display range	10 - 110 %
Working temperature	0 - 70 °C
Housing	96 x 96 mm
Panel cutout	92 x 92 mm
Speed set point limits	10 % - 110 %
Enclosure	DIN 41492 Part 2 fibre reinforced Noryl
Ramp time - minimum	5 seconds
Ramp time - maximum	120 seconds



Subject to alterations. ©Heinzmann GmbH & Co. KG, 2005

Heinzmann UK

Heinzmann UK Ltd.
 Durham Tees Valley Airport
 Darlington, County Durham DL2 1PD
 Phone: +44 1325 332343
 Fax: +44 1325 333631
 Email: info@heinzmannuk.com
 www.heinzmann-turbine-controls.com



Head Office

Heinzmann GmbH & Co. KG
 Am Haselbach 1
 D-79677 Schönau/Germany
 Phone: +49 7673 8208 - 0
 Fax: +49 7673 8208 - 188
 Email: info@heinzmann.de
 www.heinzmann.com