

ICENI distributed I/O system
power supply module PS-02
redundant supply operation



Regulateurs Europa
Member of the HEINZMANN Group

ICENI/PS-02

DATA SHEET

Description

The module provides a stabilised supply for the distributed I/O system.

The module operates from a 24 VDC supply in conjunction with a main power supply module to provide dual sourced power for the distributed I/O system modules via the internal ICENIbus.

The alarm contact will de-energise if the module has shutdown on over current, there is an internal fault or if the input voltage is outside the minimum or maximum tolerances. The module is reset by power cycling.



Features

Protected input

Supply alarm output

Isolated output

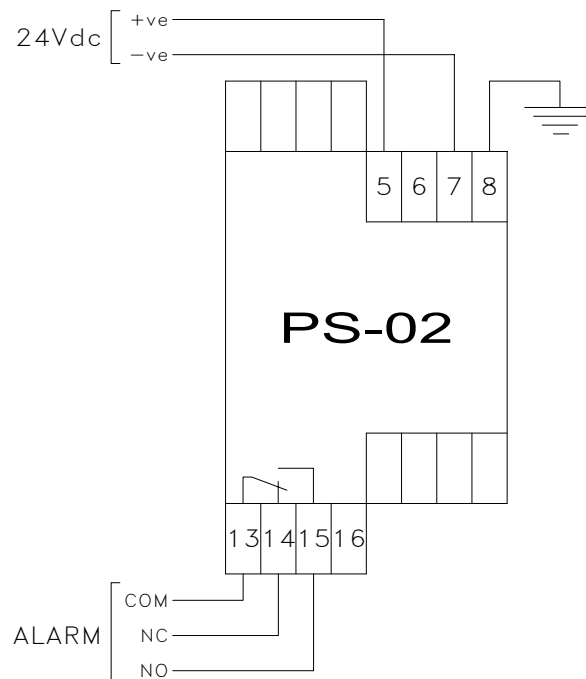
General specification

Operating temperature	-20 ... +70 °C
Storage temperature	-40 ... +85 °C
Mounting	35 mm DIN rail
Field wiring termination	screw (cage clamp option available)
Wiring cross section / strip length	0.14 ... 1.5 mm ² / 7 mm
Enclosure material	grey polyamide
Weight	150 g (approx.)
Degree of protection	IP20

Technical specification

Operating temperature	-20 ... +70 °C
Input voltage	24 VDC (nominal)
Input voltage range	10 ... 35 VDC (damage may occur >40 VDC)
Output	ICENIbus supply
Protection	reverse polarity (max. 35 VDC) ICENIbus short circuit
Input fault detection	outside normal range
Fault indication	relay (changeover contacts)
Fault indication - switching current (max.)	1 A @ 24 VDC
Fault indication - switching voltage (max.)	125 VDC/ 150 VAC
Fault indication - switching capacity (max.)	30 W / 60 VA
Contact material	palladium nickel, gold-rhodium covered
Initial contact resistance	< 50 mOhms
Electrical isolation - input to ICENIbus	1,000 V
Electrical isolation - fault indication to ICENIbus	1,000 V

ICENIbus supply load-sharing	yes
ICENIbus termination	no
Maximum ICENIbus supply available	3,500 mA



Dimensions

