

GMCU-30/42

DATA SHEET

Description

The **Gas Metering Control Unit** GMCU-30/42 is intended for stationary gas engines as a main component of a full authority engine management system. It can be used for gas flow control or lambda control. By receiving a flow setpoint signal via CAN it adjusts the gas flow to the gas mixer. It can be used for all gas qualities from LPG and natural gas to landfill and wood gas.

A high accuracy throttle valve actuator device and precise calibration of the gas metering unit provides outstanding flow control within a wide inlet pressure range. This allows the use of the valve at higher pressure conditions with increased mass flow and eliminates the need for a zero pressure regulator.



Features

Designed for integration into an existing AFR control

Suitable for different gas types and qualities

Proven reliability

CAN bus communication

High accuracy flow control

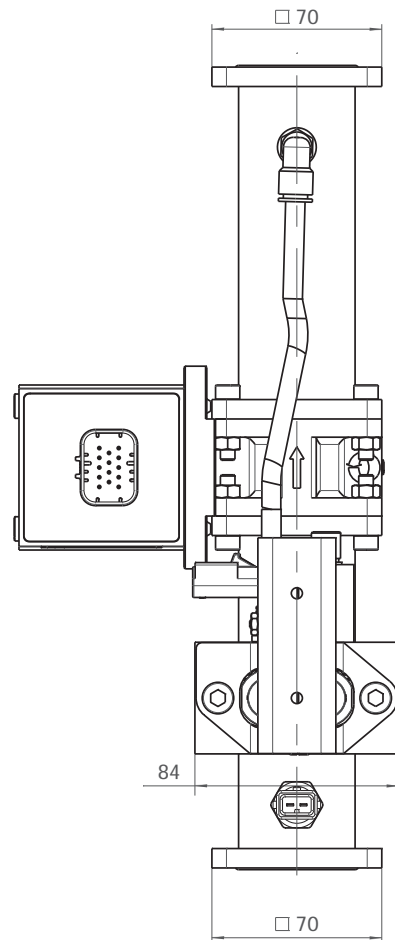
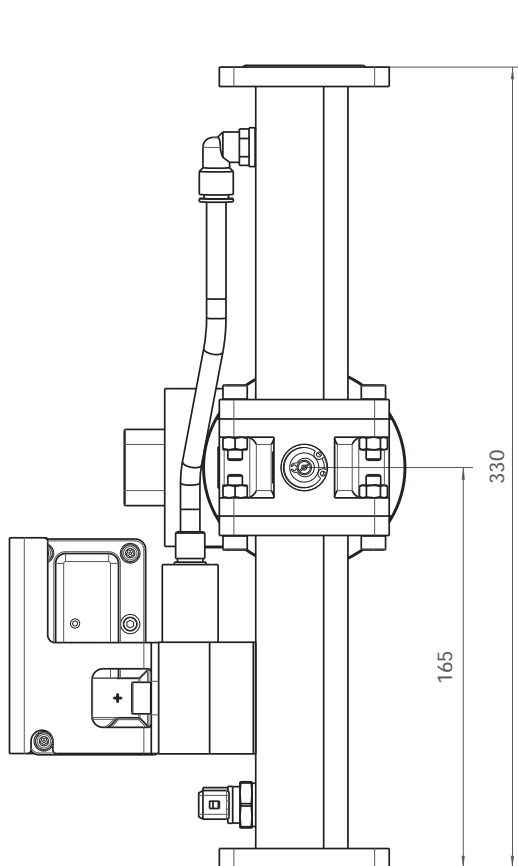
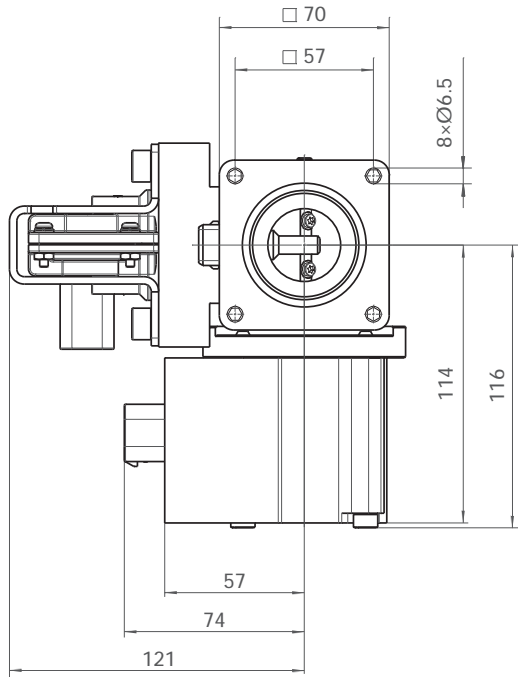
Wide input pressure range

No zero pressure regulator required

Technical data

General specification	
Supply voltage	18 ... 32 VDC, nom. 24 VDC
Current consumption	max. 6 A
Gas inlet pressure	40 ... 250 mbar
Pressure difference input/output	40 ... 250 mbar
Storing temperature	-30 ... 85 °C
Operating temperature	-30 ... 85 °C
Permissible ambient humidity	<98 % at 55 °C
Vibration	max. 2 mm at 10 ... 20 Hz max. 0.24 m/s at 21 ... 63 Hz max. 9 g at 64 ... 2000 Hz
Degree of protection	IP55
I/O interface	HEINZMANN CAN bus serial

Dimensions



Subject to alterations. ©HEINZMANN GmbH & Co. KG, 2016



Heinzmann GmbH & Co. KG
Am Haselbach 1
D-79677 Schönau/Germany

Phone: +49 7673 8208 - 0
Fax: +49 7673 8208 - 188
Email: info@heinzmann.de