

StG 64/90

DATA SHEET

Description

Medium-sized and large diesel engines as well as gas engines or turbines are the preferential application for this type of powerful actuators. A DC disk motor which already generates strong torque in both directions of rotation is their core. The torque additionally is multiplied by a reduction gearbox. Due to the low moment of inertia of the motors disk nevertheless quick response times can be gained. In case of voltage loss a return spring ensures setting back to zero position. Optionally the actuator is available without return spring. A contactless feedback system is integrated onto the governors output shaft offering an electrical position signal to any external control unit. The use of special materials and long-time lubricants assures maintenance-free operation and long working life of the actuators. All considered these actuators provide high regulation power even with only low current consumption.



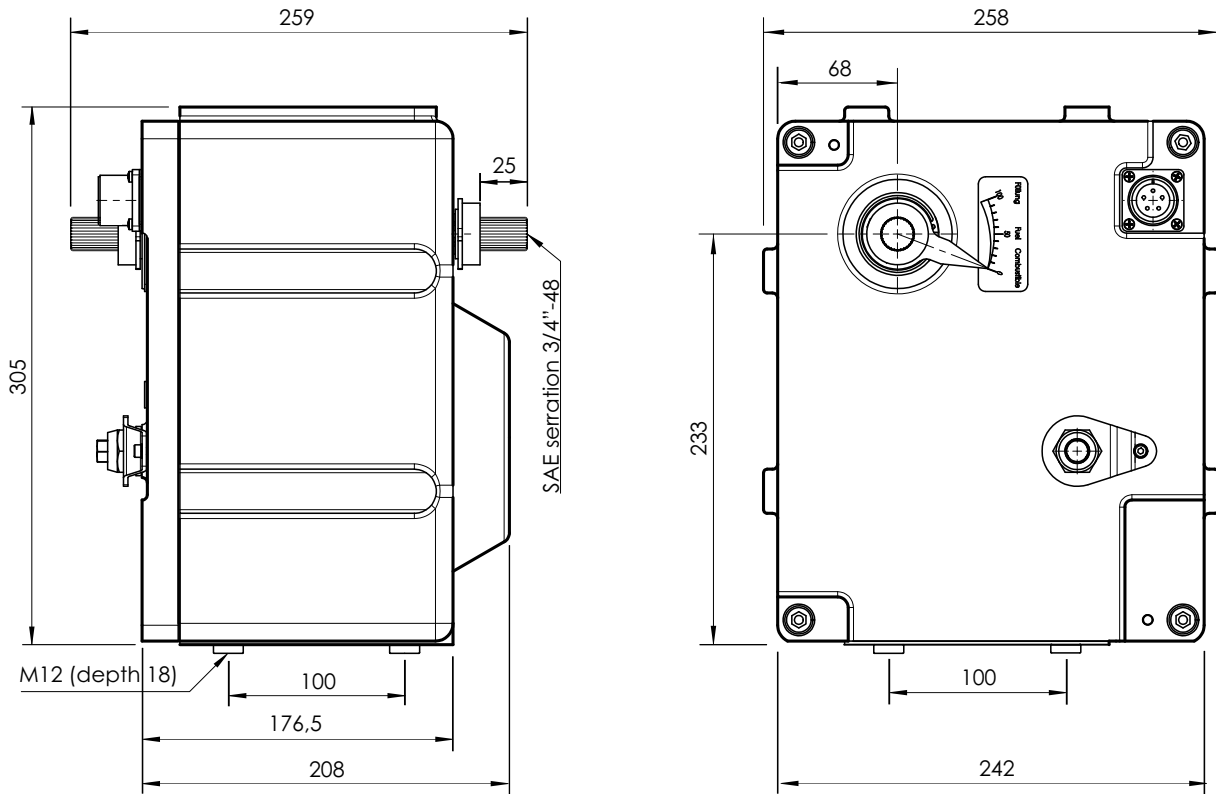
Features

- Strong regulation torque working in both directions
- Quick response time
- Return spring
- Low current consumption on change of load
- Extremely low retaining current
- Contactless feedback

Application range

- Medium-sized and large diesel engines
- Gas engines
- Gas and steam turbines

Dimensions



Technical data

	StG 64	StG 90
Rotation angle		max. 42°
Torque	max. 64 Nm	max. 90 Nm
Steady state torque	approx. 21 Nm	approx. 30 Nm
Return spring 0 ... 100 %		3.5 ... 5.0 Nm
No load response time	approx. 270 ms	approx. 320 ms
Current consumption		max. 7 A
Steady state current		approx. 2.3 A
Position feedback 0 ... 100 %		approx. 1.6 ... 2.8 VDC
Ambient temperature		-25 ... 90° C
Storage temperature		-55 ... 110° C
Permissible ambient humidity		< 95 %
Degree of protection		IP65
Weight		approx. 32 kg

Certificates

on request